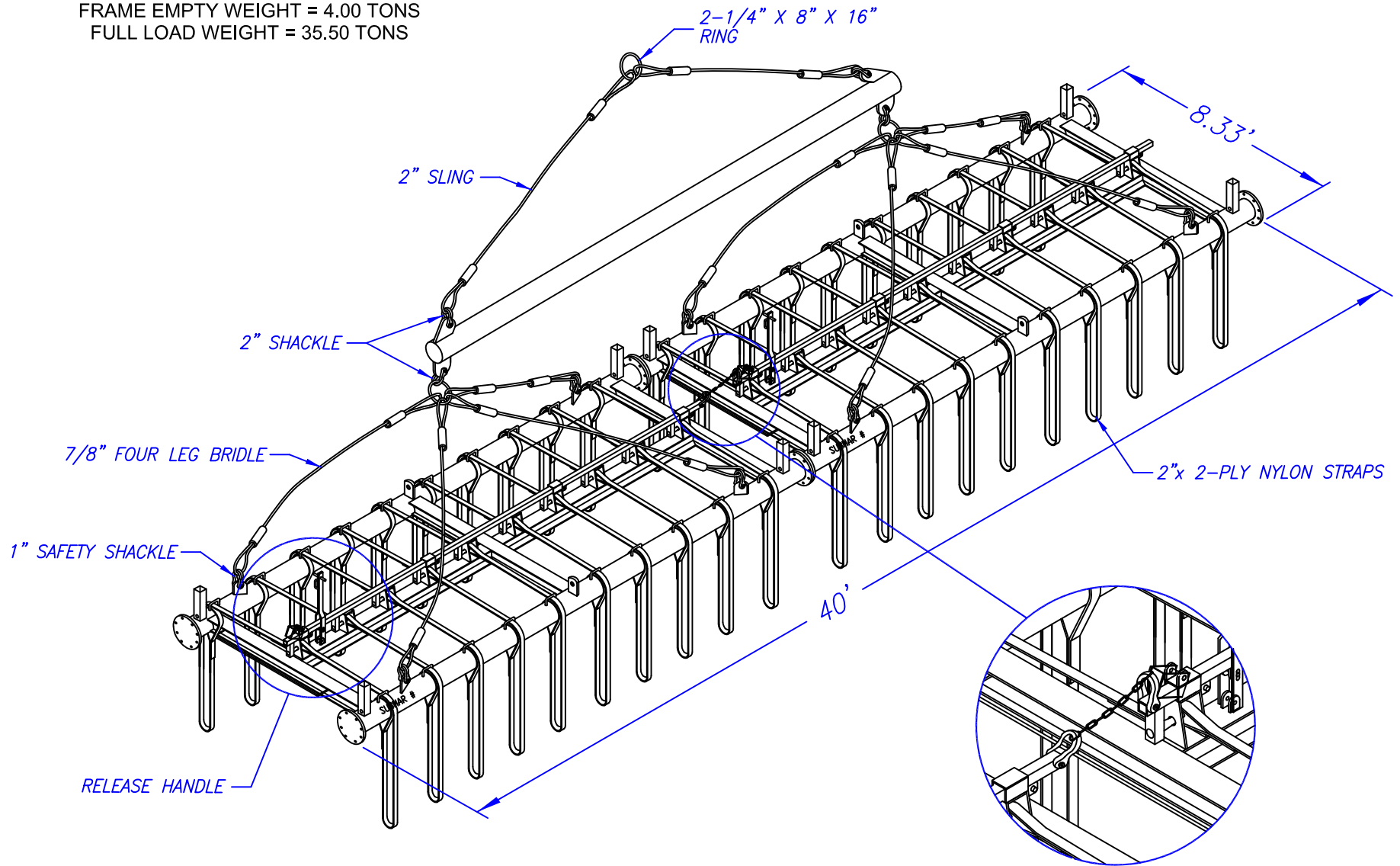



(DEPENDING ON MAT CONFIGURATION)
 TOTAL HOOK HEIGHT WITH MAT = 29' OR 37'
 FRAME LOAD CAPACITY (WEIGHT OF MATS) = 31.5 TONS
 FRAME EMPTY WEIGHT = 4.00 TONS
 FULL LOAD WEIGHT = 35.50 TONS



805 Dunn Street
 Houma, LA 70360
 Ph. 985-868-0001
 Fax 985-851-0108
 Email: submar@submar.com
 Website: www.submar.com



THESE CONCEPTUAL DRAWINGS ARE PREPARED BY SUBMAR FOR ESTIMATING PURPOSES ONLY AND ARE NOT CONSTRUCTION DRAWINGS. THESE CONFIDENTIAL DRAWINGS MAY NOT BE COPIED UNLESS APPROVED BY SUBMAR, INC.

SHEET TITLE:					
Dual Mechanical Release Handling Frame					
COPYRIGHT © SUBMAR, INC. 2011 ALL RIGHTS RESERVED.	DATE: 04/27/11	SHEET: 1 of 1	SCALE: N.T.S.	PROJECT #	DRAWING #

PATENTED
 NO. 6,139,220
 NO. 6,106,194